

INSTALLATION INSTRUCTIONS

Each installation may have unique situations that cannot be covered by the following guidelines. Please call 1-800-835-0028 if you have questions.

T01

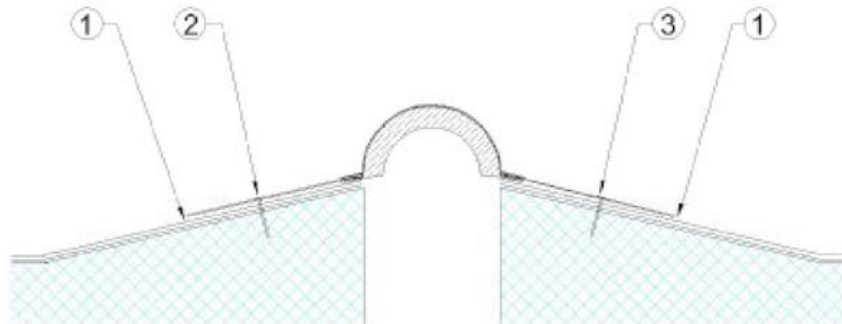
REV 10/06

GENERAL INSTRUCTIONS:

1. Install all intersections and transitions first.
2. Leaving a ½” space, start straight runs at intersections or transitions.
3. Cut slots in flanges at 25 foot intervals on aluminum, stainless, and copper flanges; and 50 foot intervals on galvanized steel flanges to allow expansion of metal and cover with full splice.

SPECIFIC INSTRUCTIONS:

- Step 1: Snap line 4” both sides of joint opening and trowel on mastic compatible with membrane to line, both sides.
- Step 2: Embed first flange in mastic and nail with 1 ¼” roofing nails at 4” on center starting at 1” from end.
- Step 3: Squeeze bellows and embed second flange and nail as above. Allow ½” space between each straight run and intersections or transitions.



INSTALLATION INSTRUCTIONS

Each installation may have unique situations that cannot be covered by the following guidelines. Please call 1-800-835-0028 if you have questions.

T02

REV 10/06

GENERAL INSTRUCTIONS:

1. Install all intersections and transitions first.
2. Leaving a 1/2" space, start straight runs at intersections or transitions.
3. Cut slots in flanges at 25 foot intervals on aluminum, stainless, and copper flanges; and 50 foot intervals on galvanized steel flanges to allow expansion of metal and cover with full splice.

SPECIFIC INSTRUCTIONS:

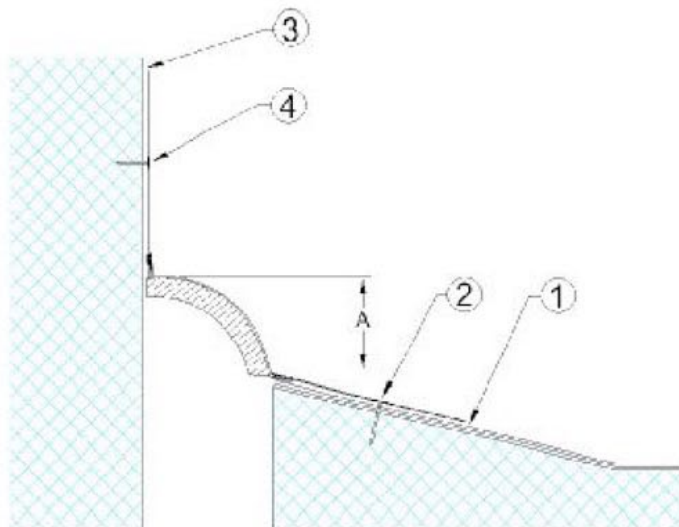
Step 1: Snap line 4" from joint opening on roof and trowel on mastic compatible with membrane to line.

Step 2: Install first flange on roof. Embed flange in mastic and nail with 1 1/4" roofing nails at 4" on center starting at 1" from end.

Step 3: For wall flange, snap line 4" above dimension "A" as shown on chart. Apply membrane-compatible mastic to the back side of wall flange.

Step 4: Squeeze bellows and position flange to snap line and nail at 8" on center starting at 1" from end with fasteners appropriate for wall material.

NOTE: Counter-flashing by others must be installed to cover wall flange.



BELLOWS WIDTH	HEIGHT "A"
4"	2 1/2"
6"	3 3/4"
8"	5"
10"	6 1/4"
12"	7 1/2"
14"	8 3/4"
16"	10 1/4"
18"	11 1/2"
20"	12 3/4"
24"	15 1/4"

INSTALLATION INSTRUCTIONS

Each installation may have unique situations that cannot be covered by the following guidelines. Please call 1-800-835-0028 if you have questions.

T03

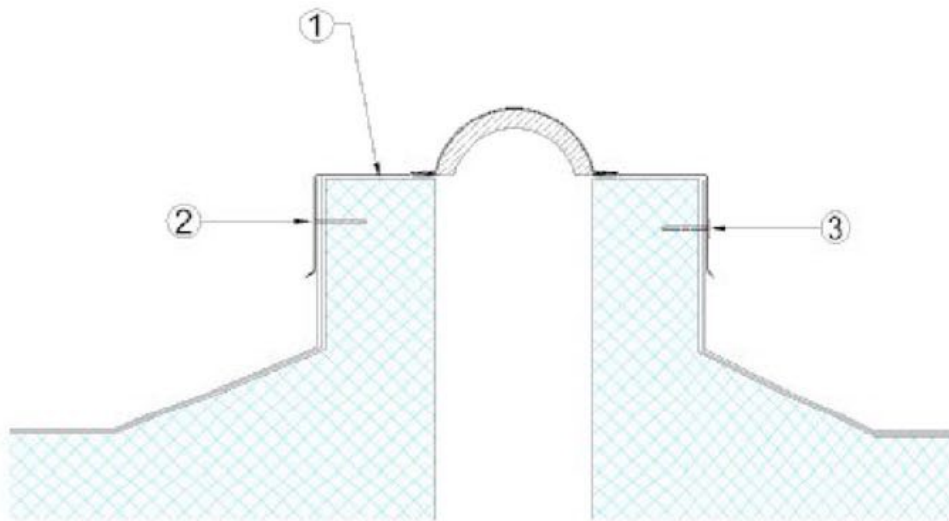
REV 10/06

GENERAL INSTRUCTIONS:

1. Install all intersections and transitions first.
2. Leaving a ½” space, start 10 foot sections at intersections or transitions.

SPECIFIC INSTRUCTIONS:

- Step 1: After membrane flashing is installed on curbs, apply membrane-compatible mastic along top edge of flashing.
- Step 2: Set first curb-formed flange over curb and nail at 8” on center starting 1” from end using 1 ¾” grommeted roofing nails.
- Step 3: Squeeze bellows and set second flange over curb and nail as above. Allow ½” space between each 10 foot sections.



INSTALLATION INSTRUCTIONS

Each installation may have unique situations that cannot be covered by the following guidelines. Please call 1-800-835-0028 if you have questions.

T04

REV 10/06

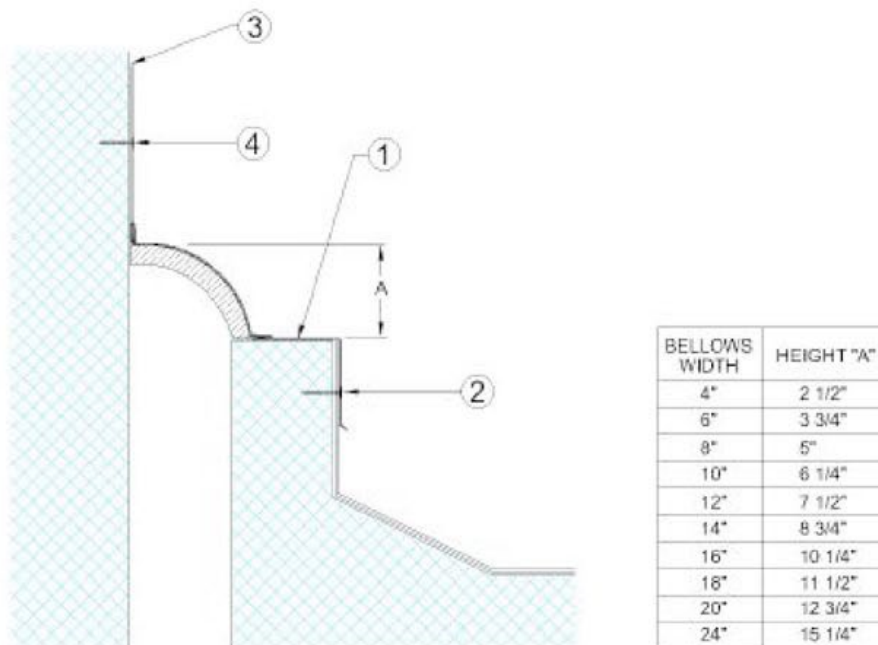
GENERAL INSTRUCTIONS:

1. Install all intersections and transitions first.
2. Leaving a 1/2" space, start straight runs at intersections or transitions.

SPECIFIC INSTRUCTIONS:

- Step 1: After membrane flashing is installed on curb, apply membrane-compatible mastic along top edge of flashing.
- Step 2: Set curb formed flange over curb and nail at 8" on center starting 1" from end using 1 3/4" grommets roofing nails.
- Step 3: For wall flange, snap line 4" above dimension "A" as shown on chart. Apply membrane-compatible mastic to the back side of wall flange.
- Step 4: Squeeze bellows and position flange to snap line and nail at 8" on center starting at 1" from end with fasteners appropriate for wall material.

NOTE: Counter-flashing by others must be installed to cover wall flange.



INSTALLATION INSTRUCTIONS

Each installation may have unique situations that cannot be covered by the following guidelines. Please call 1-800-835-0028 if you have questions.

T05

REV 10/06

SPLICING INSTRUCTIONS:

- Step 1: Prime metal flanges and bellows with brush to 3" each side of splice location and allow to dry tack-free.
- Step 2: Caulk ¼" bead along seam where metal flange joins bellows, 3 ½" each side of splice.
- Step 3: Install 6" wide peel-and-stick splice tab, removing backer sheet ahead of application. Extend tab onto roof 4" beyond metal flange. On wall flange, trim tab at top of flange.
- Step 4: Work in tab well, especially at seam where metal flange joins bellows (over caulking bead).
- Step 5: On roof flanges, install strip over flange using compatible membrane and adhesive with the roof system. On wall flange, counter-flashing must cover metal flange.
- Step 6: On curb-formed flanges, terminate tab at bottom edge of metal flange.

