

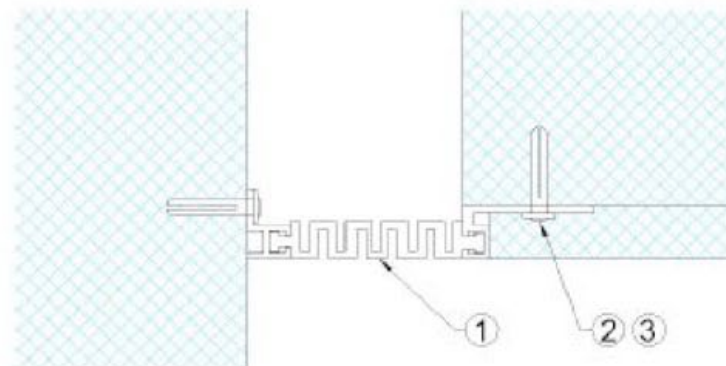
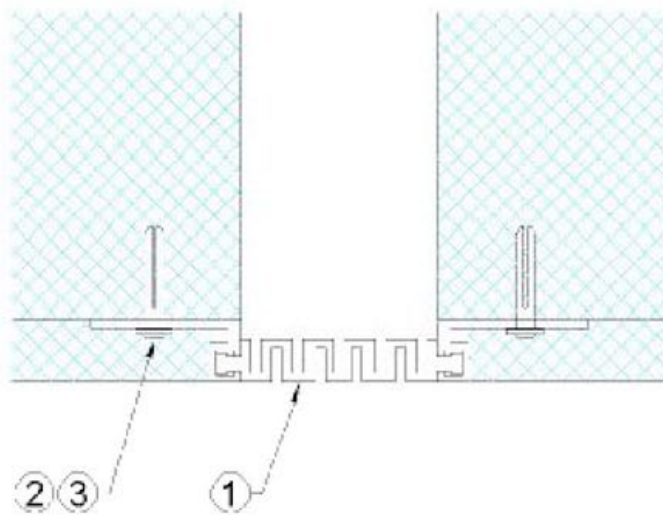
## INSTALLATION INSTRUCTIONS

Each installation may have unique situations that cannot be covered by the following guidelines. Please call 1-800-835-0028 if you have questions.

# J01

REV 10/06

- Step 1: Position vinyl insert and push into extrusion tracks, making sure vinyl is locked into position. To avoid future gaps at ends and intersections, **DO NOT** stretch vinyl lengthwise during installation.
- Step 2: Position the assembly and drill 3/16" holes to a minimum depth of 1" into wall using drill track on the extrusion as a guide.
- Step 3: Push nylon anchors through holes into wall and drive tight.



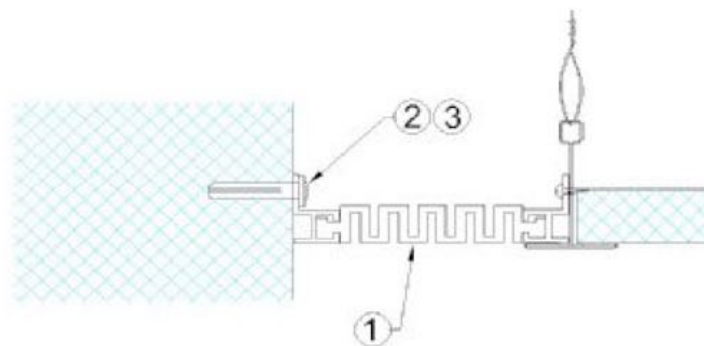
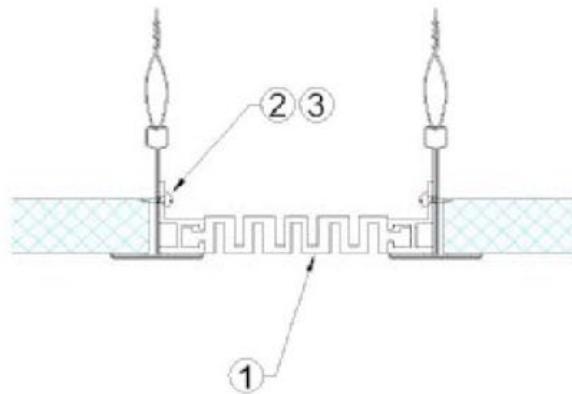
### INSTALLATION INSTRUCTIONS

Each installation may have unique situations that cannot be covered by the following guidelines. Please call 1-800-835-0028 if you have questions.

# J02

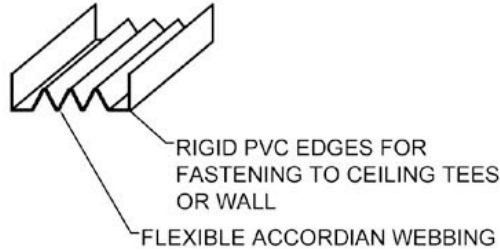
REV 10/06

- Step 1: Position vinyl insert and push into extrusion tracks, making sure it is locked into position. To avoid future gaps at ends and intersections, DO NOT stretch vinyl lengthwise during installation.
- Step 2: Position the assembly and drill pilot hole for #6 S.M.S. into ceiling tee or 3/16" hole to a minimum depth of 1" into wall on appropriate conditions.
- Step 3: Push nylon anchors through holes into wall and drive tight or install #6 S.M.S. into ceiling tee.



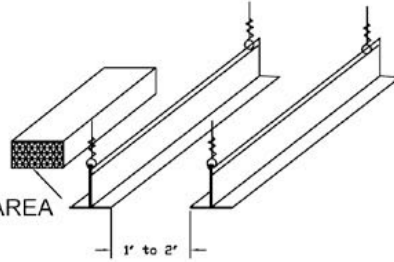


STEP 1.



STEP 2.

REMOVE CEILING TILES FROM EXPANSION JOINT INSTALLATION AREA PRIOR TO INSTALLING J75 SEAL

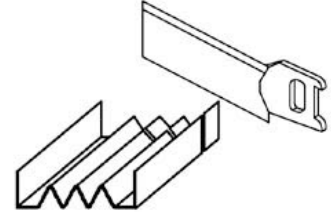


STEP 3.

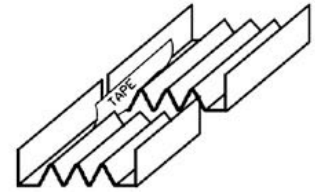
ATTACH RIGID FLANGE OF J75 TO CEILING USING POP RIVETS OR SHEET METAL SCREWS



**General Tips for Preparing  
Accoustical Ceiling Expansion Joints**



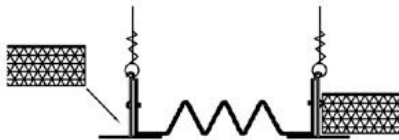
Cut the J Series material to length leaving enough material to extend 1" beyond the wall on each side of the opening



Splices can be field applied by butting the materials together and using tape across the joint

STEP 4.

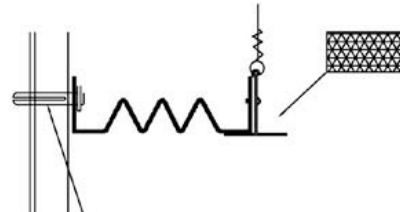
CEILING TO CEILING INSTALLATION



INSTALL CEILING TILES

STEP 5.

WALL TO CEILING INSTALLATION



FASTEN THE FLANGE OF J75 TO WALL USING APPROPRIATE FASTENERS