

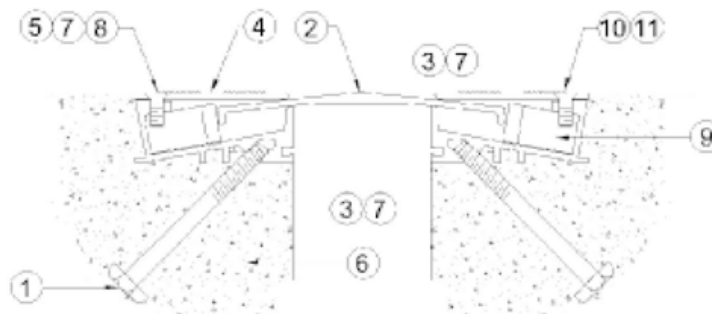
INSTALLATION INSTRUCTIONS

Each installation may have unique situations that cannot be covered by the following guidelines. Please call 1-800-835-0028 if you have questions.

A01

REV. 10/06

- Step 1: Insert ¼" x 2 ¾" hex head bolts into the frame embeds and drive tight at 1'-6" on center.
- Step 2: Slide center plate out of assembly and retain for reinstallation later.
- Step 3: Attach material across assembly for support while placing concrete, and separation material in expansion joint void. (Local conditions will dictate proper material and support method employed.)
- Step 4: The Series "A" assembly is furnished with the side covers drilled to match the frame embed extrusions. Remove one factory- installed #10-24 JHMS approximately every 5'-0" from each side cover and retain for reinstallation later.
- Step 5: Space, align and attach the expansion joint embeds and side covers to the suspension material at the 5'-0" spacing using #10-24 standard bolts inserted into the open locations from Step 4. (Be careful not to strip the tapped threads.)
- Step 6: Support as required and pour concrete making sure the expansion joint cover is plumb and true with required floor line.
- Step 7: After concrete has cured, remove the temporary #10-24 bolts, the suspension material and the expansion joint separation material.
- Step 8: Remove the remaining factory- installed #10-24 JHMS from the side covers and retain for reinstallation later. Remove and mark the side cover plates. (THESE ARE DRILLED TO MATCH THE EMBEDS AT THE FACTORY AND MUST BE REINSTALLED IN THE SAME LOCATION THAT THEY WERE REMOVED.)
- Step 9: Install the centering springs at 1'-6" on center and the center plate.
- Step 10: Reinstall the side cover plates in the locations marked in Step 8 using the #10-24 JHMS removed in Step 4 & 8. (Be careful not to strip the tapped threads.)
- Step 11: Remove any concrete residue from all exposed surfaces.



INSTALLATION INSTRUCTIONS

Each installation may have unique situations that cannot be covered by the following guidelines. Please call 1-800-835-0028 if you have questions.

A02

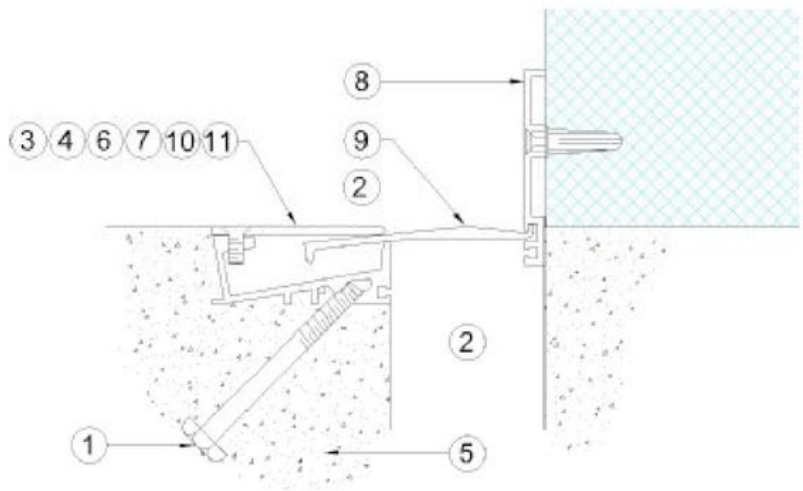
REV 10/06

- Step 1: Insert ¼" x 2 ¾" hex head bolts into the frame embeds and drive tight at 1'-6" on center and slide center plate out of assembly. Retain for reinstallation later.
- Step 2: Attach material across assembly for support while placing concrete, and separation material in expansion joint void. (Local conditions will dictate proper material and support method employed.)
- Step 3: The Series "A" assembly is furnished with the side cover drilled to match the frame embed extrusion. Remove one factory-installed #10-24 JHMS approximately every 5'-0" from side cover and retain for reinstallation later.
- Step 4: Space, align and attach the expansion joint embed and side cover to the suspension material at the 5'-0" spacing using #10-24 standard bolts inserted into the open locations from Step 3. (Be careful not to strip the tapped threads.)
- Step 5: Support as required and pour concrete making sure the expansion joint cover is plumb and true with required floor line.
- Step 6: After concrete has cured, remove the temporary #10-24 bolts, the suspension material and the expansion joint separation material.
- Step 7: Remove the remaining factory installed #10-24 JHMS from the side cover and retain for reinstallation later. Remove and mark the side cover plate. (THESE ARE DRILLED TO MATCH THE EMBEDS AT THE FACTORY AND MUST BE REINSTALLED IN THE SAME LOCATION THAT THEY WERE REMOVED.)
- Step 8: Position the wall extrusion as dimensioned on technical detail. Mark plastic plug locations. Remove assembly, drill and install plastic plug. Position the wall extrusion and install #10 x 1" F.H.W.S.

Step 9: Install the center plate.

Step 10: Reinstall the side cover plate in the locations marked in Step 7 using the #10-24 JHMS removed in Step 3 & 7. (Be careful not to strip the tapped threads.)

Step 11: Remove any concrete residue from all exposed surfaces.



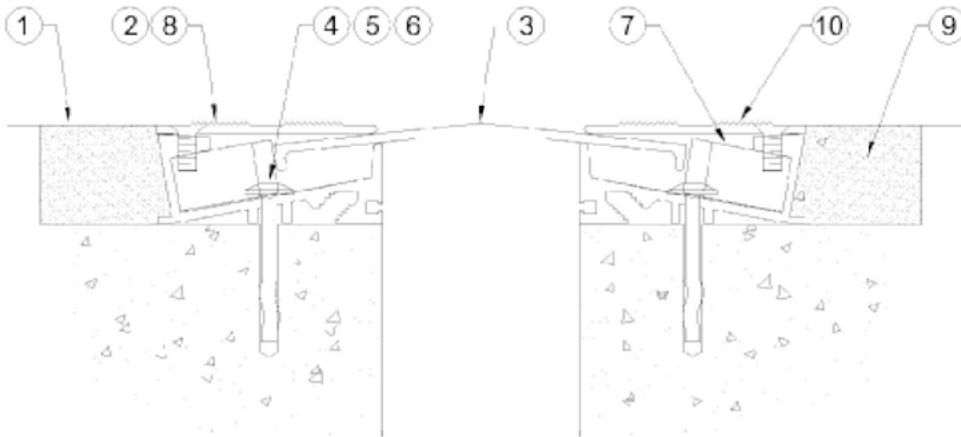
INSTALLATION INSTRUCTIONS

Each installation may have unique situations that cannot be covered by the following guidelines. Please call 1-800-835-0028 if you have questions.

A03

REV 10/06

- Step 1: Pour floors with block-outs as shown on technical detail. The block-outs should be 3 ½" wide by the specified depth.
- Step 2: Remove the factory- installed #10-24 FHMS from the side covers and retain for reinstallation later. Remove and mark the side cover plates. (THESE ARE DRILLED TO MATCH THE FRAME EMBEDS AT THE FACTORY AND MUST BE REINSTALLED IN THE SAME LOCATION THAT THEY WERE REMOVED.)
- Step 3: Slide the center plate out of the assembly and retain for reinstallation later.
- Step 4: The Series "A" assembly is furnished with the side covers drilled at 1'-0" on center to be used as a guide for drilling holes in the precast concrete for the Rawl spikes.
- Step 5: Space, align and drill the precast concrete to accept 3/16" x 1 ½" Rawl spikes. (Refer to step 4.)
- Step 6: Insert Rawl spikes into the open locations from Step 5 and drive securely.
- Step 7: Install the centering springs at 1'-6" on center and the center plate.
- Step 8: Reinstall the side cover plates in the locations marked in Step 3 using the #10-24 FHMS. (Be careful not to strip the tapped threads.)
- Step 9: Grout in place level with surrounding floor.
- Step 10: Remove any concrete residue from all exposed surfaces.



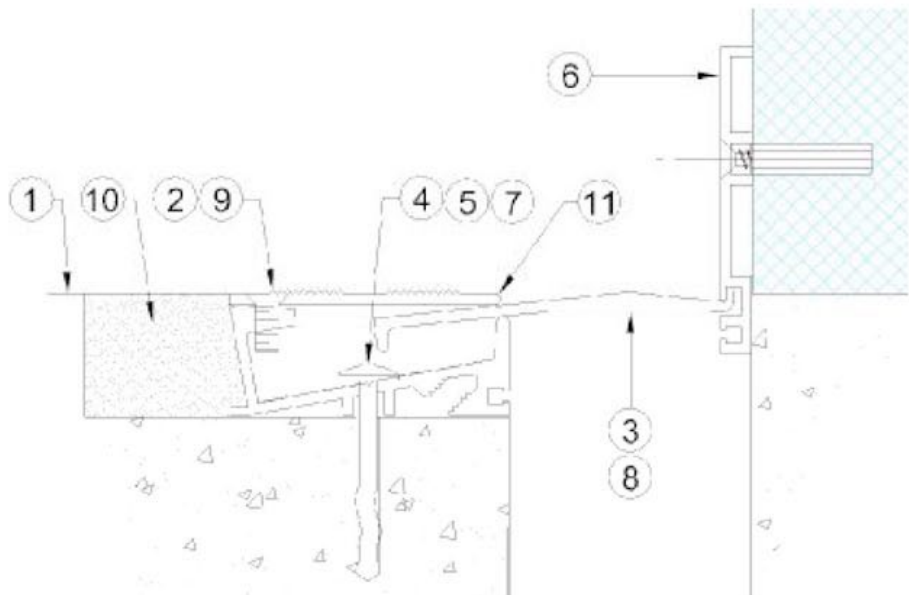
INSTALLATION INSTRUCTIONS

Each installation may have unique situations that cannot be covered by the following guidelines. Please call 1-800-835-0028 if you have questions.

A04

REV 10/06

- Step 1: Pour floors with block-out as shown on technical detail. The block-out should be 3 ½" wide by the specified depth.
- Step 2: Remove the factory- installed #10-24 JHMS from the side cover and retain for reinstallation later. Remove and mark the side cover plate. (THESE ARE DRILLED TO MATCH THE FRAME EMBEDS AT THE FACTORY AND MUST BE REINSTALLED IN THE SAME LOCATION THAT THEY WERE REMOVED.)
- Step 3: Slide center plate out of assembly and retain for reinstallation later.
- Step 4: The Series "A" assembly is furnished with the side cover drilled at 1'-0" on center to be used as a guide for drilling holes in the precast concrete for Rawl spikes.
- Step 5: Space, align and drill the precast concrete to accept 3/16" x 1 ½" Rawl spikes. (Refer to step 4.)
- Step 6: Position the wall extrusion as dimensioned in the detail. Mark plastic plug locations. Remove assembly, drill and install plastic plug. Position the wall extrusion and install #10 x 1" F.H.W.S.
- Step 7: Insert Rawl spikes into the open locations from Step 5 and drive securely.
- Step 8: Reinstall center plate. (Be carefull not to strip the tapped threads.)
- Step 9: Reinstall the side cover plate in the locations marked in Step 3 using the #10-24 JHMS. (Be careful not to strip the tapped threads.)
- Step 10: Grout in place level with surrounding floor.
- Step 11: Remove any concrete residue from all exposed surfaces.



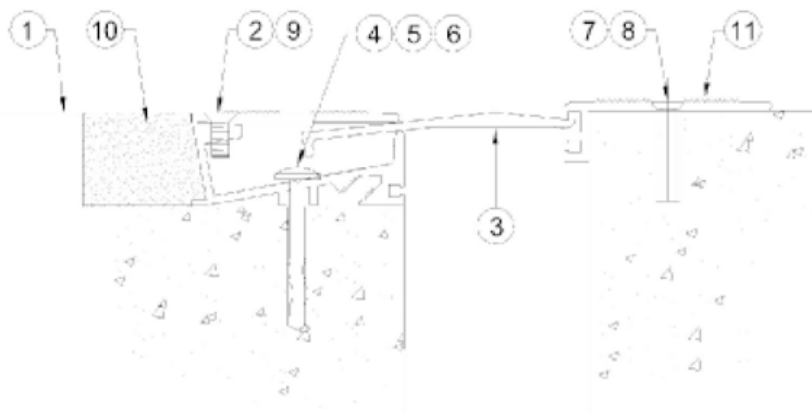
INSTALLATION INSTRUCTIONS

Each installation may have unique situations that cannot be covered by the following guidelines. Please call 1-800-835-0028 if you have questions.

A05

REV 10/06

- Step 1: Pour floors with block-out as shown on technical detail. The block-out should be 3 ½" wide by the specified depth.
- Step 2: Remove the factory- installed #10-24 JHMS from the side cover and retain for reinstallation later. Remove and mark the side cover plate. (THESE ARE DRILLED TO MATCH THE FRAME EMBEDS AT THE FACTORY AND MUST BE REINSTALLED IN THE SAME LOCATION THAT THEY WERE REMOVED.)
- Step 3: Slide center plate out of assembly and retain for reinstallation later.
- Step 4: The Series "A" assembly is furnished with the "New" side cover drilled at 1'-0" on center to be used as a guide for drilling holes in the precast concrete for Rawl spikes.
- Step 5: Space and align the "New" side cover and drill the precast concrete to accept $\frac{3}{16}$ " x 1 ½" Rawl spikes. (Refer to step 4.)
- Step 6: Insert Rawl spikes into the open locations from Step 5 and drive securely.
- Step 7: Space and align the expansion joint side cover on the existing side only, mark and drill the precast concrete to accept #8 x ¾" F.H.U.P. and vinyl anchor at 1'-6" on center.
- Step 8: Install the existing side cover and center plate. (Recommended in that order.)
- Step 9: Reinstall the side cover plate in the locations marked in Step 3 using the #10-24 JHMS. (Be careful not to strip the tapped threads.)
- Step 10: Grout in place level with surrounding floor.
- Step 11: Remove any concrete residue from all exposed surfaces.



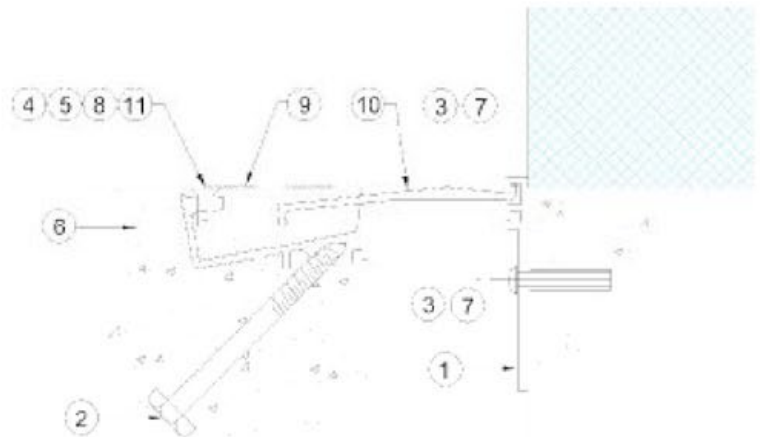
INSTALLATION INSTRUCTIONS

Each installation may have unique situations that cannot be covered by the following guidelines. Please call 1-800-835-0028 if you have questions.

A06

REV 10/06

- Step 1: Position the wall extrusion as dimensioned on technical detail. Drill for the #8 x 3/4" S.M.S. and mark the vinyl anchor locations. Remove assembly, drill and install vinyl anchor. Position the wall extrusion and install #8 x 3/4" S.M.S..
- Step 2: Insert 1/4" x 2 3/4" hex head bolts into the embeds and drive tight at 1'-6" on center.
- Step 3: Attach material across assembly for support while placing concrete, and separation material in expansion joint void. (Local conditions will dictate proper material and support method employed.)
- Step 4: The Series "A" assembly is furnished with the side cover drilled to match the embed extrusion. Remove one factory- installed #10-24 JHMS approximately every 5'-0" from side cover and retain for reinstallation later.
- Step 5: Space, align and attach the expansion joint embed and side cover to the suspension material at the 5'-0" spacing using the #10-24 standard bolts inserted into the open locations from Step 3. (Be careful not to strip the tapped threads.)
- Step 6: Support as required and pour concrete making sure the expansion joint cover is plumb and true with the required floor line.
- Step 7: After concrete has cured, remove the temporary #10-24 bolts, the suspension material and the expansion joint separation material.
- Step 8: Remove the remaining factory- installed #10-24 JHMS from the side cover and retain for reinstallation later. Remove and mark the side cover plate. (THESE ARE DRILLED TO MATCH THE FRAME EMBEDS AT THE FACTORY AND MUST BE REINSTALLED IN THE SAME LOCATION THAT THEY WERE REMOVED.)
- Step 9: Remove any concrete residue from all exposed surfaces.
- Step 10: Install the center plate.
- Step 11: Reinstall the side cover plate in the locations marked in Step 8 using the #10-24 JHMS removed in Step 4 & 8. (Be careful not to strip the tapped threads.)



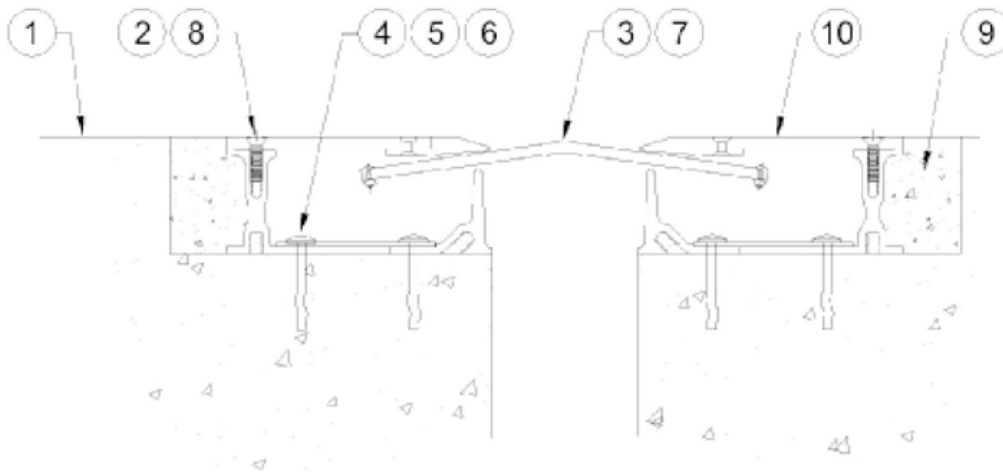
INSTALLATION INSTRUCTIONS

Each installation may have unique situations that cannot be covered by the following guidelines. Please call 1-800-835-0028 if you have questions.

A07

REV 10/06

- Step 1: Pour floors with block-outs as shown on technical detail. The block-outs should be 2 times the joint width plus 4" wide. Blockout depth varies; see expansion joint cover type.
- Step 2: Remove the factory- installed #10-24 FHMS from the side covers and retain for reinstallation later. Remove and mark the side cover plates. (THESE ARE DRILLED TO MATCH THE FRAME EMBEDS AT THE FACTORY AND MUST BE REINSTALLED IN THE SAME LOCATION THAT THEY WERE REMOVED.)
- Step 3: Slide the center plate out of the assembly and retain for reinstallation later.
- Step 4: The Series "A" assembly is furnished with the side covers drilled at 1'-0" on center to be used as a guide for drilling holes in the precast concrete for the Rawl spikes.
- Step 5: Space, align and drill the side covers and precast concrete to accept $\frac{3}{16}$ " x 1 $\frac{1}{2}$ " Rawl spikes. (Refer to step 4.)
- Step 6: Insert Rawl spikes into the open locations from Step 5 and drive securely.
- Step 7: Install the center plate.
- Step 8: Install the side cover plates in the locations marked in Step 3 using the #10-24 FHMS. (Be careful not to strip the tapped threads.)
- Step 9: Grout in place level with surrounding floor.
- Step 10: Remove any concrete residue from all exposed surfaces.



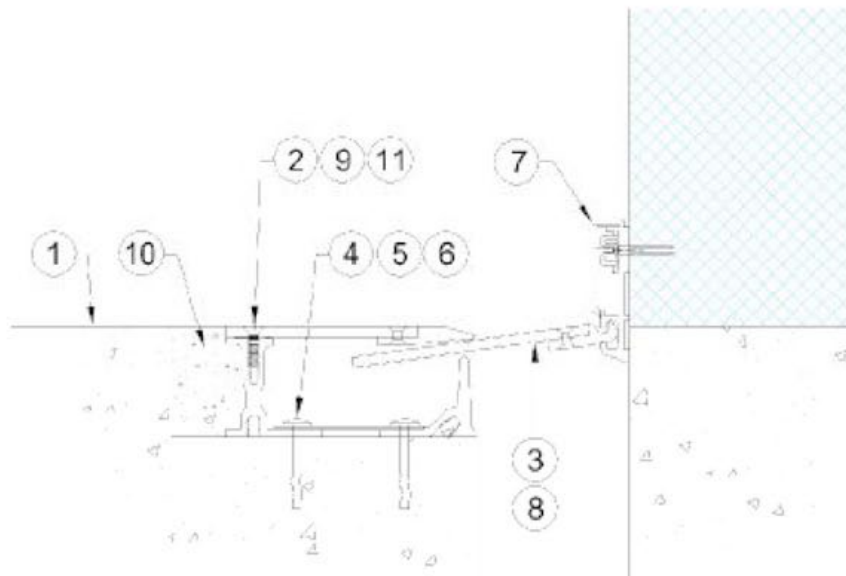
INSTALLATION INSTRUCTIONS

Each installation may have unique situations that cannot be covered by the following guidelines. Please call 1-800-835-0028 if you have questions.

A08

REV 10/06

- Step 1: Pour floors with block-outs as shown on technical detail. The block-outs should be 1.5 times the joint width plus 4" wide. Block-out depth varies; see expansion joint cover type.
- Step 2: Remove the factory- installed #10-24 FHMS from the side covers and retain for reinstallation later. Remove and mark the side cover plates. (THESE ARE DRILLED TO MATCH THE FRAME EMBEDS AT THE FACTORY AND MUST BE REINSTALLED IN THE SAME LOCATION THAT THEY WERE REMOVED.)
- Step 3: Slide center plate out of assembly and retain for reinstallation later.
- Step 4: The Series "A" assembly is furnished with the side cover drilled at 1'-0" on center to be used as a guide for drilling holes in the aluminum carrier and precast concrete for the Rawl spikes.
- Step 5: Space, align and drill through the aluminum carrier into the precast concrete to accept the 3/16" x 1 1/2" Rawl spikes.
- Step 6: Insert Rawl spikes into the open locations from Step 5 and drive securely.
- Step 7: Position the concealed wall extrusion as dimensioned on technical detail. Drill for the 3/16" x 1" vinyl anchors. Install vinyl anchors. Insert plastic clips into the concealed wall extrusion. Install the exposed wall extrusion by positioning the wall extrusion and pressing firmly.
- Step 8: Reinstall center plate.
- Step 9: Reinstall the side cover plate in the locations marked in Step 3 using the #10-24 FHMS. (Be careful not to strip the tapped threads.)
- Step 10: Grout in place level with the surrounding floor.
- Step 11: Remove any concrete residue from all exposed surfaces.



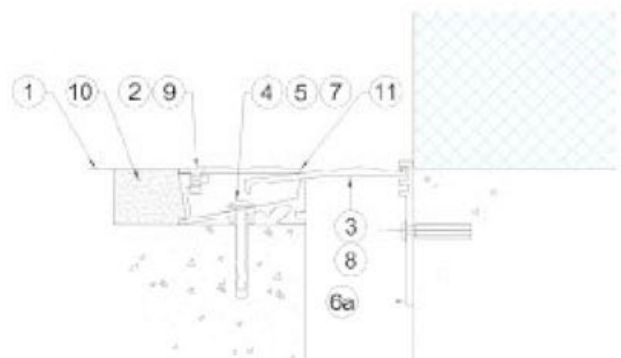
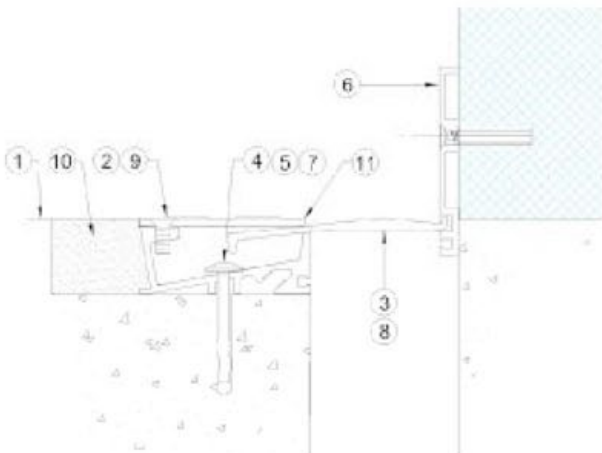
INSTALLATION INSTRUCTIONS

Each installation may have unique situations that cannot be covered by the following guidelines. Please call 1-800-835-0028 if you have questions.

A09

REV 10/06

- Step 1: Pour floors with block-out as shown on technical detail. The block-out should be 3 ½" wide by the specified depth.
- Step 2: Remove the factory- installed #10-24 JHMS from the side cover and retain for reinstallation later. Remove and mark the side cover plate. (THESE ARE DRILLED TO MATCH THE FRAME EMBEDS AT THE FACTORY AND MUST BE REINSTALLED IN THE SAME LOCATION THAT THEY WERE REMOVED.)
- Step 3: Slide center plate out of assembly and retain for reinstallation later.
- Step 4: The Series "A" assembly is furnished with the side cover drilled at 1'-0" on center to be used as a guide for drilling holes in the precast concrete for Rawl spikes.
- Step 5: Space and align the expansion joint cover and drill the precast concrete to accept $\frac{3}{16}$ " x 1 ½" Rawl spikes. (Refer to step 4.)
- Step 6: Position the wall extrusion as dimensioned on technical detail. Drill for the #18 x ¾" S.M.S. (6a) and mark vinyl anchor locations (6 & 6a). Remove assembly, drill and install vinyl anchor. Position the wall extrusion and install #10 x 1" F.H.W.S. (6), #8 x ¾" S.M.S. (6a).
- Step 7: Insert Rawl spikes into the open locations from Step 5 and drive securely.
- Step 8: Install the center plate.
- Step 9: Reinstall the side cover plate in the locations marked in Step 3 using the #10-24 JHMS. (Be careful not to strip the tapped threads.)
- Step 10: Grout in place level with the surrounding floor.
- Step 11: Remove any concrete residue from all exposed surfaces.



INSTALLATION INSTRUCTIONS

Each installation may have unique situations that cannot be covered by the following guidelines. Please call 1-800-835-0028 if you have questions.

A10

REV 10/06

- Step 1: Insert 1/4" x 2 3/4" hex head bolts into the frame embeds and drive tight at 1'-6" on center.
- Step 2: Slide the center plate out of the assembly and retain for reinstallation later.
- Step 3: Attach material across assembly for support while placing concrete, and separation material in expansion joint void. (Local conditions will dictate proper material and support method employed.)
- Step 4: The Series "A" assembly is furnished with the side covers drilled to match the frame embed extrusions. Remove one factory- installed #10-24 JHMS approximately every 5'-0" from each side cover and retain for reinstallation later.
- Step 5: Space, align and attach the expansion joint cover embeds and side covers to the suspension material at the 5'-0" spacing using #10-24 standard bolts inserted into the open locations from Step 4. (Be careful not to strip the tapped threads.)
- Step 6: Support as required and pour concrete making sure the expansion joint cover is plumb and true with the required floor line.
- Step 7: After concrete has cured, remove the temporary #10-24 bolts, the suspension material and the expansion joint separation material.
- Step 8: Remove the remaining factory- installed #10-24 JHMS from the side covers and retain for reinstallation later. Remove and mark the side cover plates. (THESE ARE DRILLED TO MATCH THE FRAME EMBEDS AT THE FACTORY AND MUST BE REINSTALLED IN THE SAME LOCATION THAT THEY WERE REMOVED.)
- Step 9: Remove any concrete residue from all exposed and matching aluminum surfaces.
- Step 10: Space and align the expansion joint cover on the existing side only, mark and drill the precast concrete to accept #8 x 3/4" F.H.U.P. and vinyl anchor at 1'-6" on center.

Step 11: Install the existing side cover and center plate. (Recommended in that order.)

Step 12: Reinstall the side cover plate on the new side in the locations marked in Step 8 using the #10-24 JHMS removed in Step 4 & 8. (Be careful not to strip the tapped threads.)

